

CALCULATION SHEET

PROJECT		JOB ID	
SUBJECT	Boundary Fence Wall	DESIGNED	
		CHECKED	Juvv'13
		PAGE	
		SHEET	

Boundary Fence Wall (Alt-1)

Post spacing 3.00m, w/ Panel Height 2.50m.

F-1A

load from CCB = 1332 kg

Post = $0.20 \times 0.20 \times 2.5 \times 2400 = 336$ kg

PE = 1668 kg

Provided Pile Cap = 0.80 x 0.80 x 0.20 dp

SW = 384 kg/m

Soil = $0.8 \times 1600 = 1280$ kg/m

wf = 1664 kg/m

$R_1 = 156$ kg

USE - 1 PC Pile @ $\phi 6'' \times 5.00$ m

$R_2 = 2468$ kg

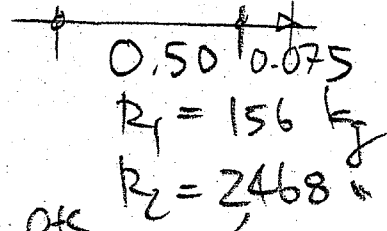
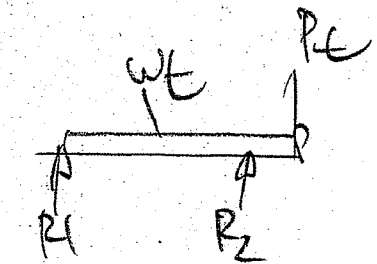
USE - 2 PC Pile @ $\phi 6'' \times 5.00$ m.

load/Rile = 1234 kg < 1500 kg OK

$M = 131$ kg.m

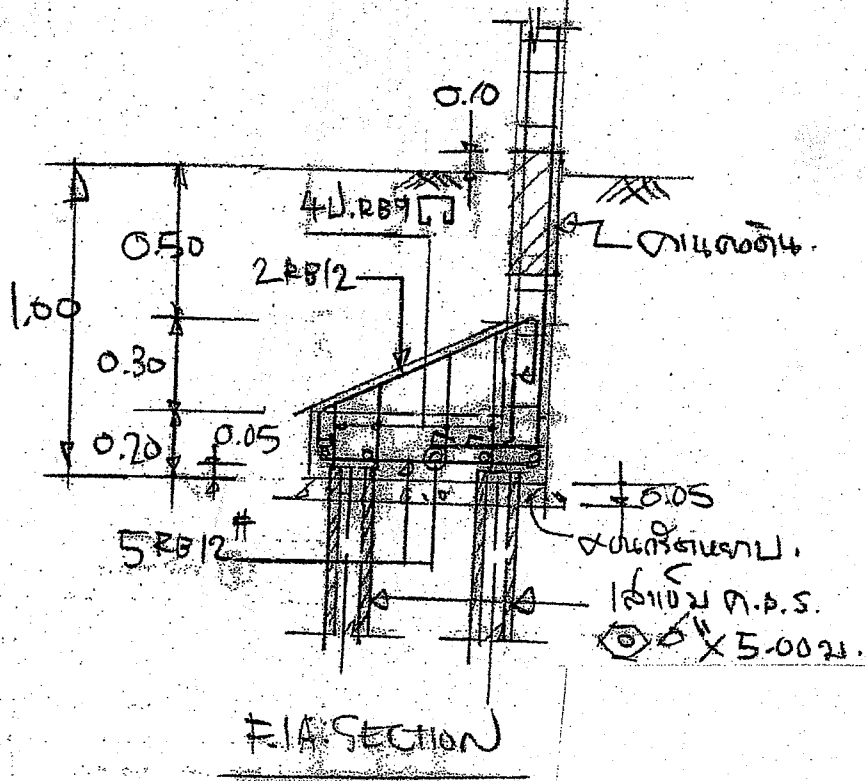
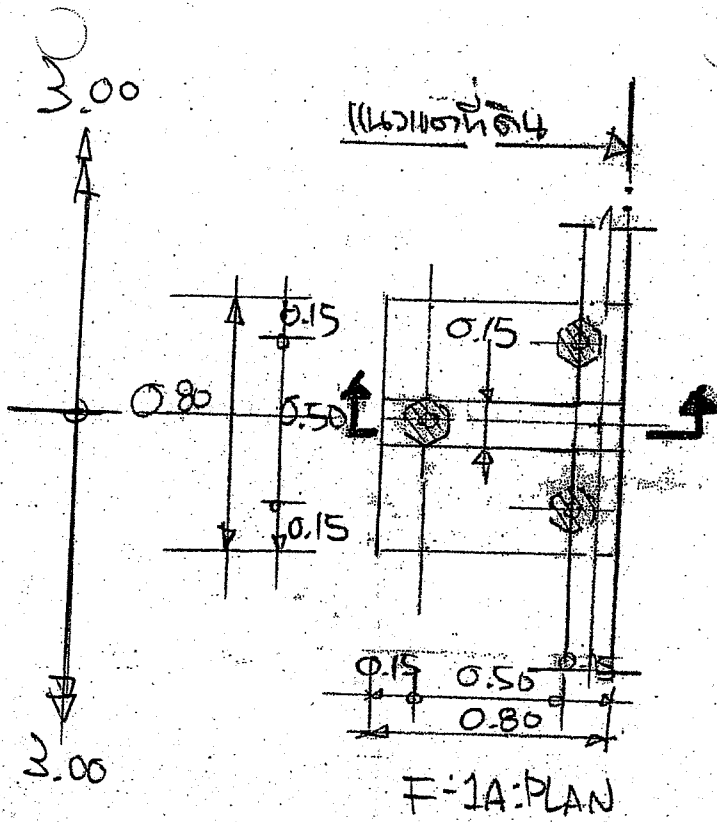
$A_c = 0.56$ cm² - 2 ϕ 12

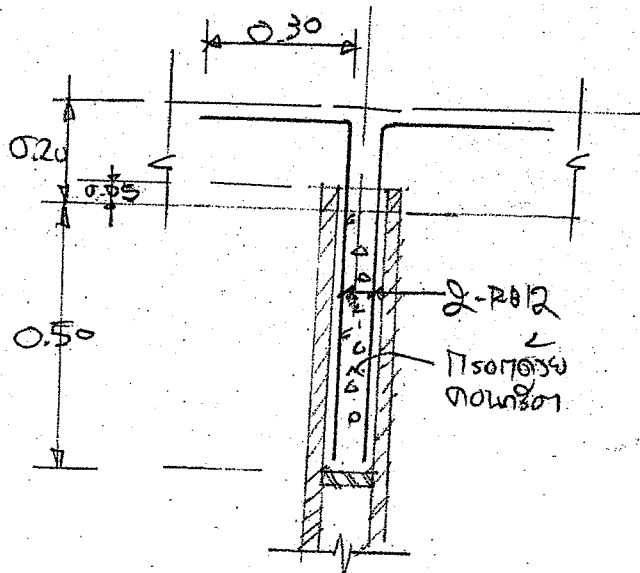
Alt_{min} = 40 cm - 5 ϕ 12



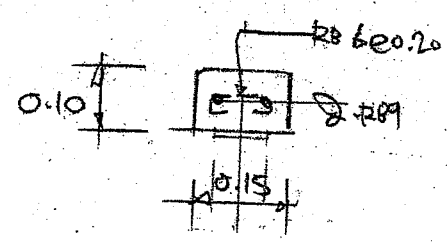
$V = 1793$ kg

$V_c = 1258$ " - 4 ϕ 9

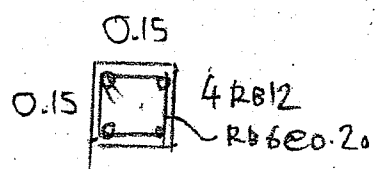




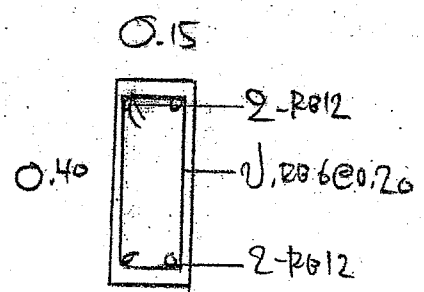
Исходные данные



Исходные данные



Исходные данные



Исходные данные

2

CALCULATION SHEET

PROJECT	Boundary Fence Wall	JOB ID	
SUBJECT		DESIGNED	PJ
		CHECKED	June 13
		PAGE	
		SHEET	

Boundary Fence Wall (Alt-2)

$$C_{\text{B1}} = 0.25 \times 0.50$$

$$D_c = 300 \text{ kg/m}$$

$$W_{\text{all}} = 378 \text{ "}$$

$$W_{\text{f}} = \underline{\underline{678 \text{ "}}}$$

$$M = \frac{1}{2} \times 678 \times 1.50^2$$

$$= 169 \text{ kg}\cdot\text{m}$$

$$A_{\text{st}} = 0.25 \text{ cm} = \underline{\underline{2\phi 12}}$$

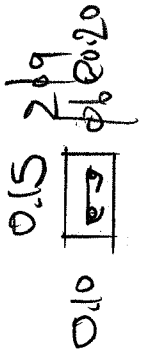
$$V = 509 \text{ kg}$$

$$V_c = 4195 \text{ " } = \underline{\underline{\phi 6 @ 0.20}}$$

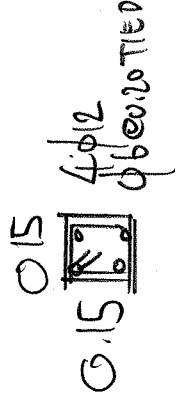
$$P_{\text{max}} = 2 \times 509$$

$$= 1018 \text{ kg}$$

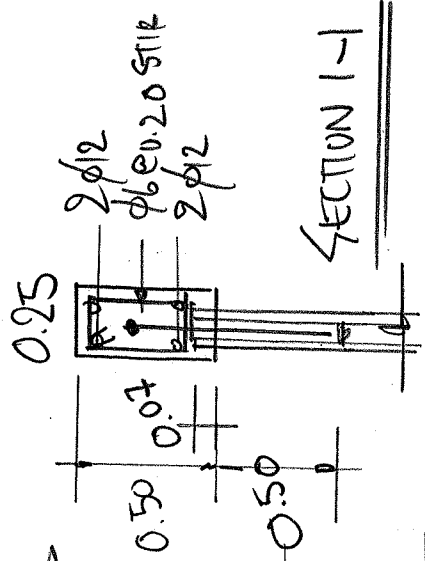
$$\underline{\underline{\text{Provided: } 1 \phi 6 @ 5.00 \text{ m}}}$$



SECTION 3-3

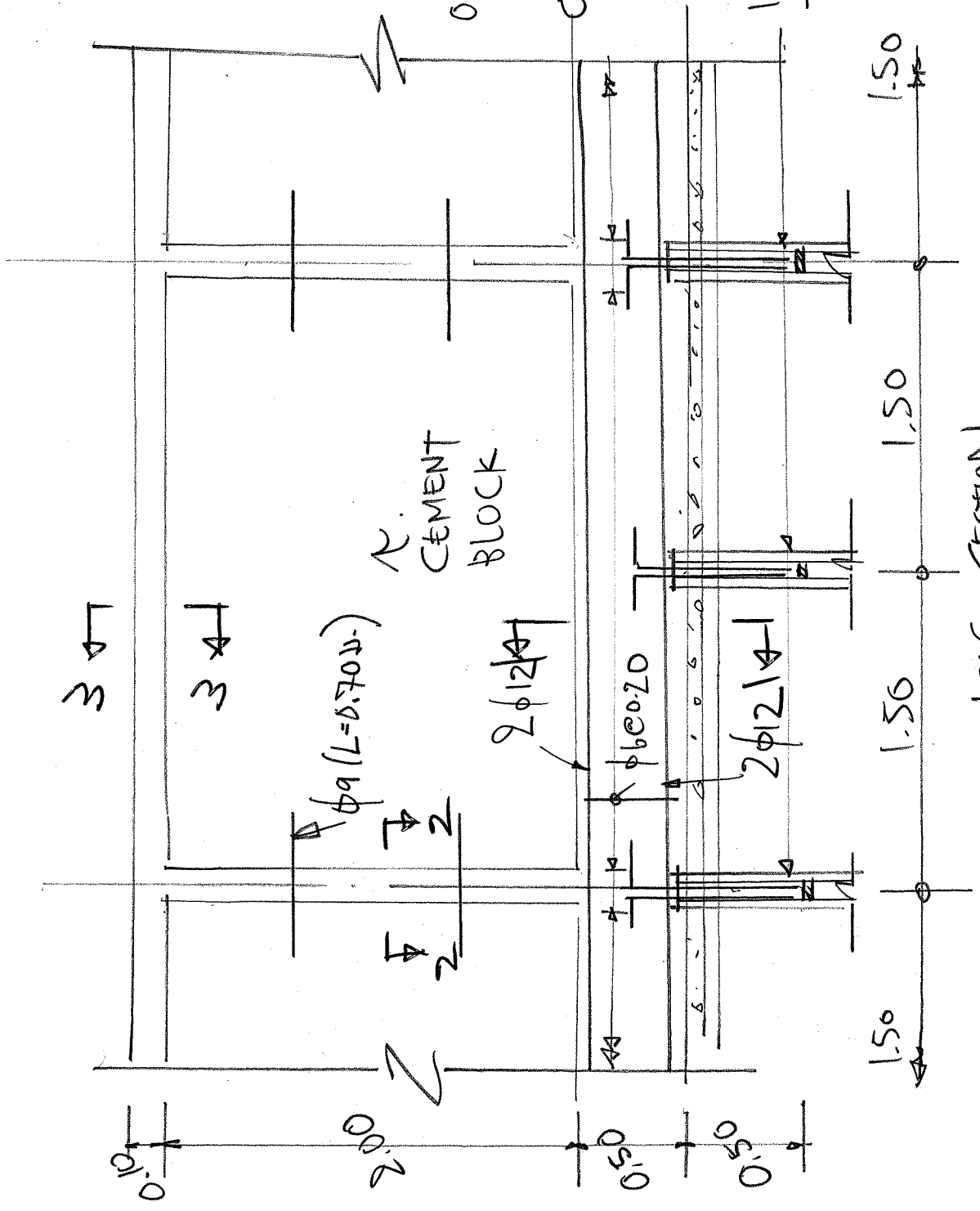


SECTION 2-2



SECTION 1-1

150mm x φ6 x 5.00 di.
+ 2φ12 POWER BARS
FILLED WITH CONCRETE



LONG SECTION